

WDP-82NC3MA

3MP IP NCUA Covert Camera

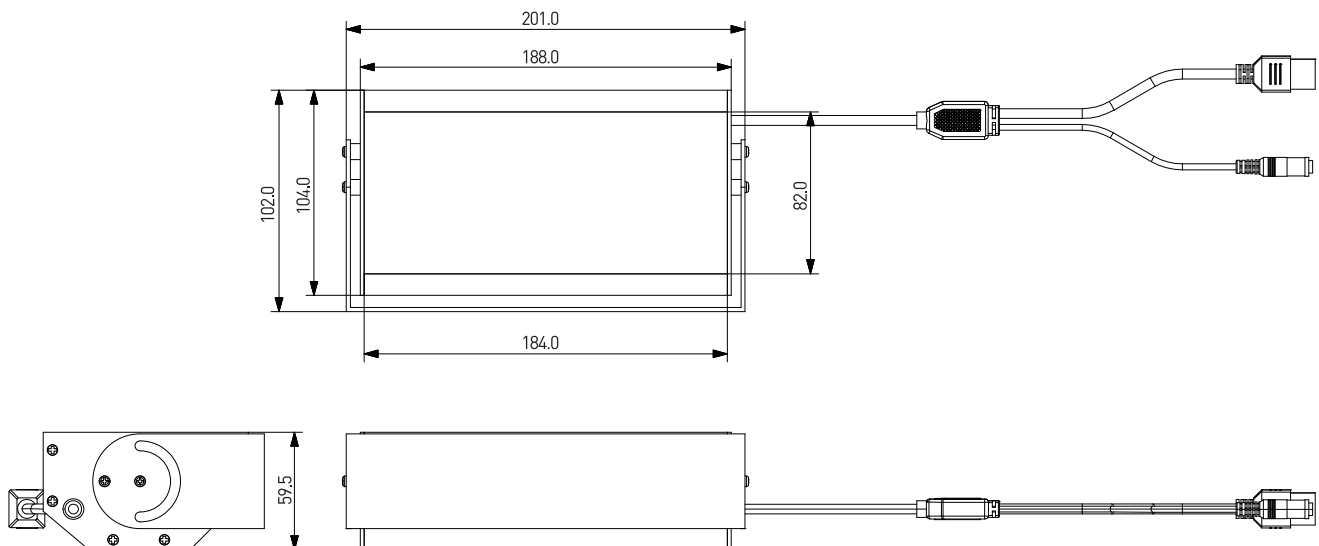


SPECIFICATION

Camera	
Image pick-up device	Sony IMX123 1/2.8" 3.2megapixel CMOS image sensor
Effective pixel	2065(H) x 1553(V) pixels
Scanning system	Progressive scan
Lens	F2.5, Focal length 3.7mm, 2megapixel covert lens, Pin-Hole type
Electronic shutter speed	Auto / NTSC : 1/30sec ~ 1/8,000sec / PAL : 1/25sec ~ 1/8,000sec
Day & night	Auto / BW / Color
White balance	ATW / Manual / 2800K / 4000K
Backlight compensation	WDR / BLC
AGC	Off / Low / Middle / High
Adjustments	Brightness / Saturation / Contrast / Sharpness
Noise reduction	3DNR
S/N ratio	More than 50dB
Min. illumination	1.0Lux(Color), 0.5Lux(BW)
Video	
Compression	2 H.264@HP/MP/BP, MJPEG
Streaming	Simultaneous triple streams
	H.264 streaming over UDP, TCP, HTTP or HTTPS
	MJPEG streaming over HTTP or HTTPS
Resolution	640x480, 800x480, 800x600, 1024x768, 1280x720, 1280x1024, 1920x1080, 2048x1536
Frame rate	up to 30fps@2048x1536

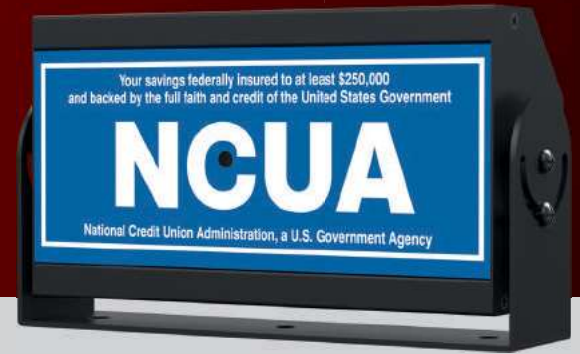
DIMENSIONS

[Unit : mm]



WDP-82NC3MA

3MP IP NCUA Covert Camera



Audio	
Compression	G.711 (PCM)
Input	Internal C-MIC
Output	1x line out
Processor	
Main processor	Ambarella S2LM ARM Cortex-A9, 600MHz
Main memory	DDR3 256MB
Networking	
Interface	10/100 Mbps Ethernet, RJ-45
ONVIF	Support Profile-S
Protocols	IPv4, TCP/IP, HTTP, HTTPS, UPnP, BONJOUR RTP/RTSP, SMTP, FTP, DHCP, NTP, DNS, DDNS, SNMP
Users	8 Clients monitoring at the same time
Security	
Security	Multi-level user access with password protection
	IP address filtering
	HTTPS encrypted data transmission
Maintenance	
Firmware	Supports firmware upgrade
Factory reset	Restores to factory default settings
Applications	
Application	SDK available for application development and system integration
Connectors	
Ethernet / PoE	RJ-45 jack
Power input	Plug-in DC jack
Audio output	1 Stereo phone jack
Video output	1x BNC jack
Sensor in / alarm out	4P Strip wire
Power	
Power over Ethernet (PoE)	IEEE 802.3af
Power supply	DC 9~28V
Power consumption	Max 3W
Environmental	
Operating temperature	-20°C ~ +70°C
Humidity	0 ~ 90% RH, non condensing
Weight (approx.)	600g
Dimensions (mm)	201.0(W) x 102.0(H) x 59.5(D)

FEATURES

- Sony CMOS Full-HD sensor
- Megapixel covert lens
- 3D DNR (Digital Noise Reduction)
- Backlight compensation
- Power over Ethernet IEEE 802.3af
- Additional function (motion detection, mirror, white balance, sharpness, brightness, contrast)