

WDP-4277M2A

3.2Megapixel Full-HD IP Box Camera

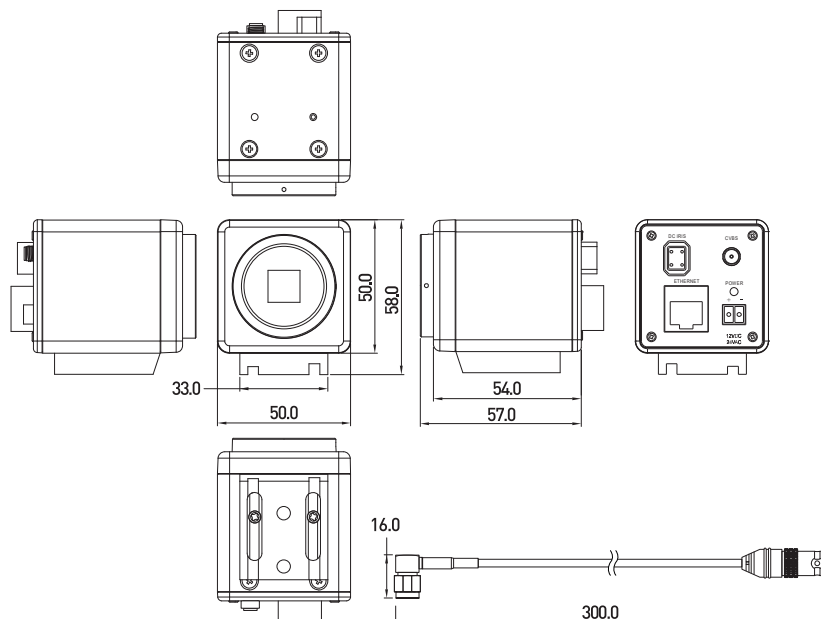


SPECIFICATION

| Camera | |
|--------------------------|--|
| Image pick-up device | Sony IMX123 1/2.8" 3.2megapixel CMOS image sensor |
| Effective pixel | 2065(H) x 1553(V) pixels |
| Scanning system | Progressive scan |
| Lens (optional) | F1.6, Focal length 2.7~13.5mm, CS mount, 4MP varifocal lens |
| Electronic shutter speed | Auto / NTSC : 1/30sec ~ 1/8,000sec / PAL : 1/25sec ~ 1/8,000sec |
| Day & night | Auto / BW / Color |
| White balance | ATW / Manual / 2800K / 4000K |
| Backlight compensation | WDR / BLC |
| AGC | Off / Low / Middle / High |
| Adjustments | Brightness / Saturation / Contrast / Sharpness |
| Noise reduction | 3DNR |
| S/N ratio | More than 50dB |
| Min. illumination | 1.0Lux(Color), 0.5Lux(BW) |
| Video | |
| Compression | 2 H.264@HP/MP/BP, MJPEG |
| Streaming | Simultaneous triple streams |
| | H.264 streaming over UDP, TCP, HTTP or HTTPS |
| | MJPEG streaming over HTTP or HTTPS |
| Resolution | 640x480, 800x480, 800x600, 1024x768, 1280x720, 1280x1024, 1920x1080, 2048x1536 |
| Frame rate | up to 30fps@2048x1536 |

DIMENSIONS

[Unit : mm]



WDP-4277M2A

3.2Megapixel Full-HD IP Box Camera



| Processor | |
|---------------------------|--|
| Main processor | Ambarella S2LM ARM Cortex-A9, 600MHz |
| Main memory | DDR3 256MB |
| Networking | |
| Interface | 10/100 Mbps Ethernet, RJ-45 |
| ONVIF | Support Profile-S |
| Protocols | IPv4, TCP/IP, HTTP, HTTPS, UPnP, BONJOUR RTP/RTSP, SMTP, FTP, DHCP, NTP, DNS, DDNS, SNMP |
| Users | 8 Clients monitoring at the same time |
| Security | |
| Security | Multi-level user access with password protection |
| | IP address filtering |
| | HTTPS encrypted data transmission |
| Maintenance | |
| Firmware | Supports firmware upgrade |
| Factory reset | Restores to factory default settings |
| Applications | |
| Application | SDK available for application development and system integration |
| Connectors | |
| Ethernet / PoE | RJ-45 jack |
| Power input | Plug-in type connector |
| Power | |
| Power over Ethernet (PoE) | IEEE 802.3af |
| Power supply | DC 9~28V, AC 24V |
| Power consumption | Max 4W |
| Approval | |
| Approval | FCC class A |
| Environmental | |
| Operating temperature | -20°C ~ +70°C |
| Humidity | 0 ~ 90% RH, non condensing |
| Dimensions (mm) | 50.0(W) x 50.0(H) x 57.0(D) |

FEATURES

- Sony CMOS Full-HD sensor
- Day & Night
- Electronic IRIS
- DC drive lens
- 3D DNR (digital noise reduction)
- Backlight compensation
- Power over Ethernet IEEE 802.3af
- Additional function
(motion detection, mirror, white balance, sharpness, brightness, contrast)