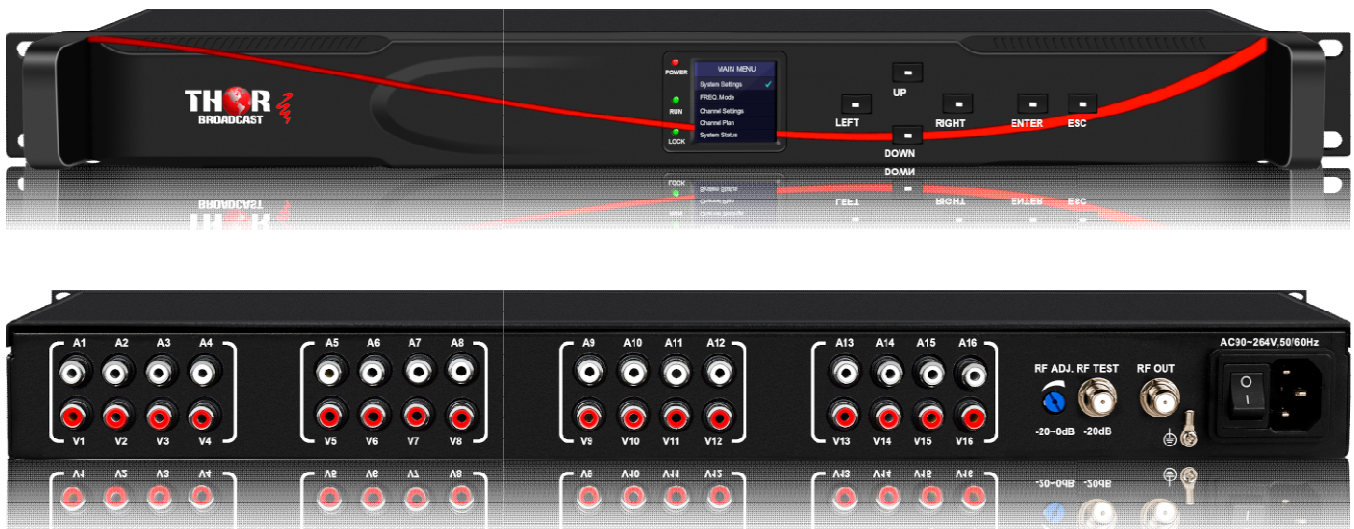




User Manual



H-16RCA-RF-MOD **16 CHANNELS AGILE MODULATOR**

A Note from Thor Broadcast about this Manual

Intended Audience

This user manual has been written to help people who have to use, integrate and to install the product. Some chapters require some prior knowledge in, especially in broadcast technologies and standards.

Disclaimer

No part of this document may be reproduced in any form without the written permission of Thor Fiber. The contents of this document are subject to revision without notice due to continued progress in methodology, design and manufacturing. Thor shall have no liability for any error or damage of any kind resulting from the use of this document.

Copy Warning

This document includes some confidential information. Its usage is limited to the owners of the product that it is relevant to. It cannot be copied, modified, or translated in another language without prior written authorization from THOR.

Table of Contents

1. INTRODUCTION	3
2. FEATURES	3
3. SPECIFICATION	3
4. SYSTEM MAP	3
5. SAFT INTRODUCTIONS	4
6. INSTALLATION	5
7. FRONT PANEL VIEW	6
8. REAR PANEL VIEW	6
9. SETTING UP	6
10. FINE TUNING	6
11. SYSTEM INTERFACE	7
12. TROUBLESHOOTING	9

1. INTRODUCTION

The H-16RCA-RF-AMOD is a professional quality agile modulator with 16 output channels in 1RU size. It is SAW filtered and microprocessor controlled with an output capability of 860MHz. The unit offers high performance, low cost and compact design for the system operators.

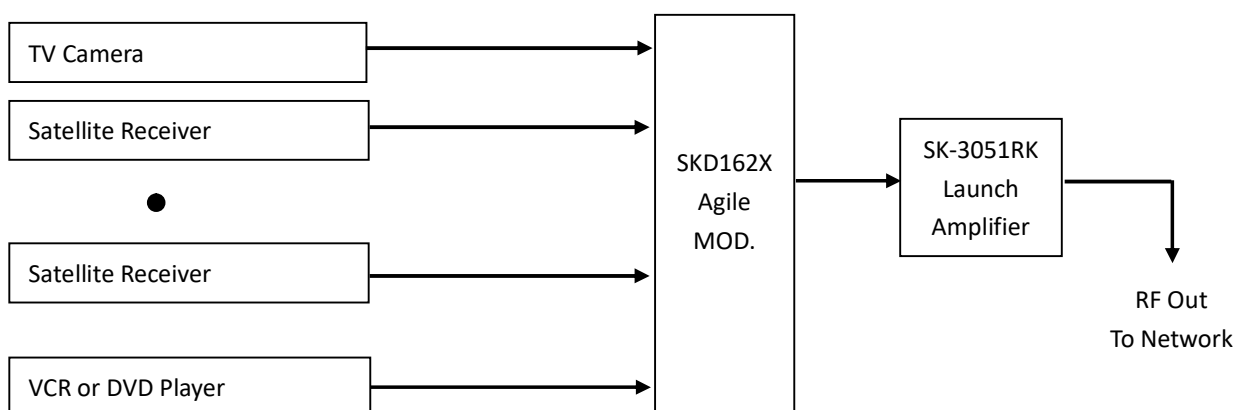
2. FEATURES

1. SAW filtering for maintenance free adjacent channel configuration
2. Double I.F loop for superior in band C/N
3. Fewer cables and connector but greater reliability
4. Rack mountable 1RU space saving shipping cost
5. Web UI accessible level controls for easy set-up and adjustment

3. SPECIFICATION

OUTPUT		
RF	Output Connector	F Connector @ 75Ohms
	Output Frequency	45~860MHz any 16 channels
	Output Level	113 dBμV (Adj.)
	Out-band Rejection	≥60dB
	A / V Ratio	-21~ -18 dB (Adj.)
	Frequency Stability	±5kHz
	Test Point	-20 dB ±3dB
INPUT		
VIDEO	Video Input Level	0.6-1.5Vp-p (87.5% Modulation)
	Input Connector	Yellow RCA Jack
	Video C/N	60dB
AUDIO	Input Level	0.8Vp-p(25KHz Peak Deviation)
	Input Connector	White RCA Jack
GENERAL		
POWER AND SIZE	Voltage	AC 90 ~ 264V @ 47~63Hz
	Power Consumption	100W
	Cooling Fans	4
	Dimension	48.4*32.9*4.44 (CM)
	Carton Size	55*39*13 (CM)
	Shipping Weight	6KG

4. SYSTEM MAP



**TO REDUCE THE RISK OF ELECTRICAL SHOCK,
DO NOT REMOVE COVER FROM THIS UNIT.
NO USER-SERVICEABLE PARTS INSIDE.
REFER SERVICING TO QUALIFIED SERVICE PERSONNEL.**



5. SAFETY INSTRUCTIONS

1. Read all safety and operating instructions before you operate the modulator
2. Retain all safety and operating instructions for future reference
3. Heed all warnings on the modulator and in the safety and operating instructions
4. Follow all installation, operating and use instructions.
5. Unplug the modulator from the AC power outlet before cleaning. Use only a damp cloth for cleaning the exterior of the modulator
6. Do not use accessories or attachments not recommended by us, as they may cause hazards, and will void the warranty
7. Do not operate the modulator in high-humidity areas, or expose it to water or moisture.
8. Do not place the modulator on an unstable cart, bracket or table. The modulator may fall, causing serious personal injury and damage to the modulator. Install the modulator only in a mounting rack designed for 19" rack-mounted equipment.
9. Do not block or cover slots and openings in the modulator. These are provided for ventilation and protection from overheating. Never place the modulator near or over a radiator or heat register.
10. We strongly recommend using an outlet that contains surge suppression or ground fault protection. For added protection during a lightning storm, or when the modulator is left unattended for long periods of time, unplug it from the wall outlet or PDU and disconnect the lines between the modulator and its source. This will prevent damage caused by lightning or power line surges.
11. Do not overload wall outlets or extension cords, as this can result in a risk of fire or electrical shock.
12. Never insert objects of any kind into the modulator through openings as the objects may touch dangerous voltage and will void the warranty. Refer all servicing to authorized service personnel.
13. Unplug the modulator from the wall outlet or PDU and refer servicing to authorized service personnel whenever the following occurs:
 - The power supply cord or plug is damaged
 - Liquid has been spilled into or objects have fallen into modulator
 - The modulator has been exposed to rain or water
 - The modulator has been dropped or the chassis has been damaged
 - The modulator exhibits a distinct change in performance
14. When replacement parts are required, ensure that the service technician uses replacement parts specified by us. Unauthorized substitutions may damage the modulator or cause electrical shock or fire and will void the warranty.

5.1 Unpacking and Handling:

A full H-16CVBS-RF-MOD agile modulator is shipped with all equipment assembled, wired, factory tested, and then packaged in an appropriate shipping container.

5.2 Mechanical Inspection

Inspect the front and rear of the equipment for shipping damage. Make sure the equipment is clean, and no wire, cable, or connectors are broken, damaged or loose.

5.3 Precautions

Avoid heat buildup

Ensure easy access to rack wiring

Facilitate servicing and maintenance

Avoid direct heating or air conditioning

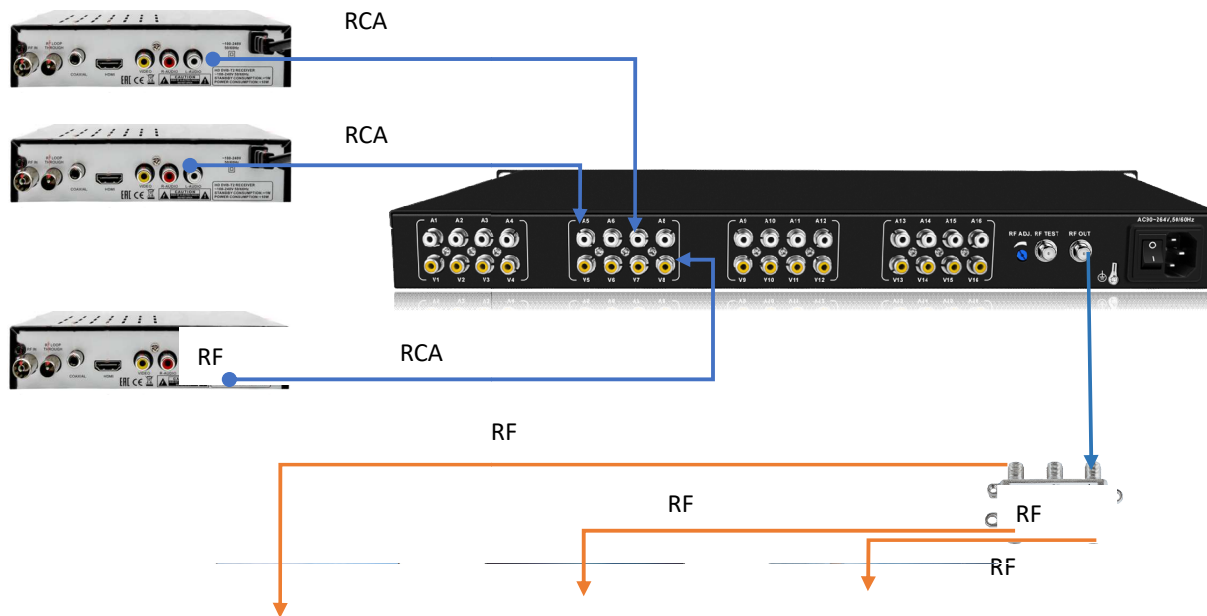
Make sure rack supports are sufficiently rigid to support racks

Beware of dripping water onto equipment from leaky roofs, waveguide roof entries and cold-water pipe condensations

5.4 Damage in Shipment

Should any damage be discovered after unpacking the unit, immediately file a claim with the carrier. A full report of the damage shall be made, and a copy forwarded to the Seller

6. INSTALLATION



Please follow the instructions below to install the H-16RCA-RF-MOD

1. Connect the power plug to the power jack
2. Connect the video source to the H-16CVBS-RF-MOD like DVB or STB
3. Connect the H-16RCA-RF-MOD to the TV
4. Power up the modulator and wait for 3 minutes to get it up

7. FRONT PANEL CONTROLS



- 1. NMS:** Net management system port [IP:192.168.1.10; USER NAME: user; PASSWORD: user]
- 2. INDICATORS:** Indicate power on, running and signal locked
- 3. LCD DISPLAY:** To display all the setting information. The LCD will be locked without any action taken within 1 minute. Press any keys to activate the screen.
- 4. CONTROL KEYS:** Use UP, DOWN, LEFT and RIGHT to move, ENTER to save and ESC to quite.

8. REAR PANEL VIEW



- 4. VIDEO & AUDIO INPUT:** Feed the video and audio signals into the modulator. The A1~A16 stands for the audio input with white RCA connectors while the V1~V16 stands for the video input with yellow RCA connector.
- 5. RF OUTPUT ADJ.:** Adjust the output level at the RF OUTPUT, 20db adjustment by turning potentiometer up or down, and it effects all 16 channels, (the LCD attenuation control is per particular channel only) using external potentiometer is recommended in most cases
- 6. RF TEST:** Output level read at this point will be down 20dB from the actual output
- 7. RF OUTPUT:** 16 modulated signal at 113dB μ V output is provided at this port
- 8. GND:** For the modulator grounding.
- 9. POWER CORD SOCKET AND CORD:** 110V~220V power source and the switch

WARNING:

For the protection of your equipment and its proper functioning it is necessary to connect the H-16RCA-RF-AMOD to a ground connection.

10. FINE TUNER

All Thor modulators are heat cycled at the factory and final adjustments are made with the units hot. Please allow a 5 minute warm-up before attempting any adjustments. You will need a signal level meter and a TV set.

1. Connect the video and audio cable from your source to its respective connector on the modulator. If you have several H-16RCA-RF-AMOD, please connect the RF OUTPUT to the proper combiner. Levels can be read at the test point output of the combiner output located on the rear panel.
2. AUDIO and VIDEO modulation levels are set at the factory for plus or minus 25KHz deviation and 87.5% depth of modulation respectively. Although proper test equipment should be used, minor adjustments can be made utilizing a TV set. Connect the TV set to the final output test point so that the signal level input from the modulator is about +69dB μ V. If the colors look bright and there is sufficient sound without audio buzz, leave the modulation adjustment alone. If there is occasional audio buzz, turn modulation control down slowly counterclockwise until the audio is clean and clear of any

11 The Front Panel System

MAIN MENU	
System Status	✓
System Settings	
Network Settings	

There are three menus on the first page, which the operator may choose to view and/or configure system settings.

System Status	
DEV. Name :	H-16RCA-R
Audio :	N
AUTH :	Auth.
IP :	192.168.00

System Settings	
Language :	English
Restore :	No ✓
Reboot :	No

System Settings

1. Language: Press ENTER to edit, and press LEFT or RIGHT to switch the language.
2. Restore: Restore to the factory settings.
3. Reboot: Reboot the modulator

Network Settings	
DHCP:	OFF
IP:	192.168.0
Mask:	255.255.2
GateWay:	192.168.0
DNS:	92.168.00
MAC:	:60:70:00:

12 WEB MANAGEMENT

12.1 LOGIN

The H-16RCA-RF-AMOD has a friendly user interface for programming and monitoring the device. The user can get access to the built-in web UI by logging into Google Chrome, Firefox or Microsoft Edge accounts. (The best browsers)

The default user name and the default password are the following:

Username: **user**

Password: **user**



login
http://192.168.1.30

Username

Password

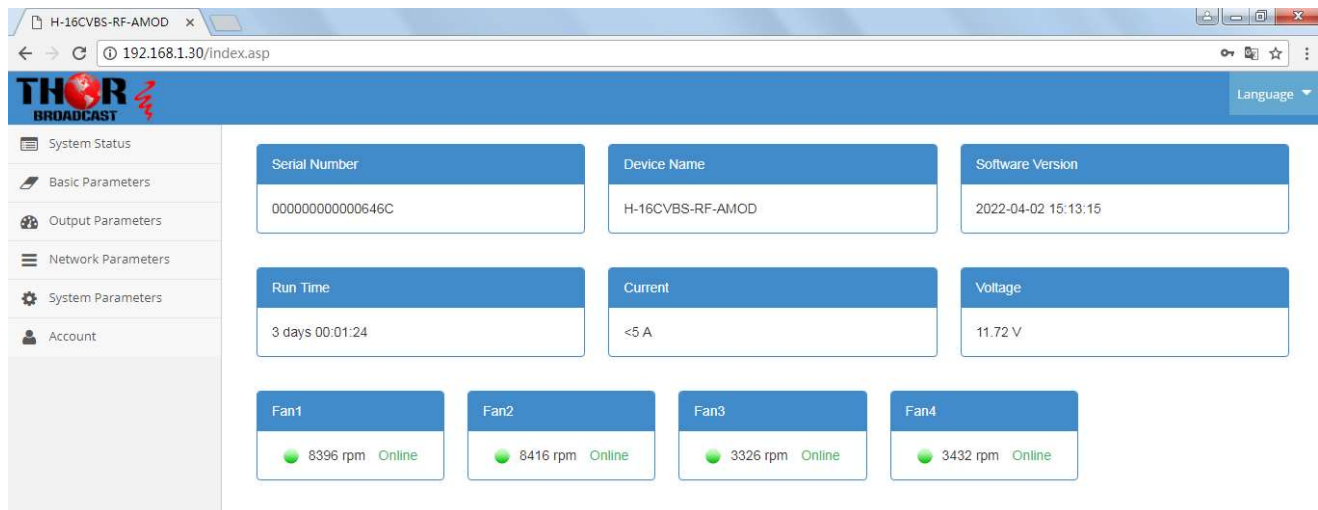
Login Cancel



Please make sure your computer is in the same IP segment as the modulator is.

12.2 SYSTEM STATUS

You can quickly check out the modulator's working status here.



System Status

Basic Parameters

Output Parameters

Network Parameters

System Parameters

Account

Serial Number 00000000000646C	Device Name H-16CVBS-RF-AMOD	Software Version 2022-04-02 15:13:15	
Run Time 3 days 00:01:24	Current <5 A	Voltage 11.72 V	
Fan1 8396 rpm Online	Fan2 8416 rpm Online	Fan3 3326 rpm Online	Fan4 3432 rpm Online

12.3 BASIC PARAMETERS

☰ Name

Device Name

12.4 OUTPUT PARAMETERS

On this page, you can set up the output frequencies.

○ Output Param.

Freq. Adjust Mode :
Freq. Type :

Channel NO.	Enable	Attenuation (dB)	Frequency (MHz)	Audio Adjustment	Video Adjustment
1	<input checked="" type="checkbox"/>	<input type="text" value="0"/>	N61 (445.25)	<input type="range" value="0"/>	<input type="range" value="100"/>
2	<input checked="" type="checkbox"/>	<input type="text" value="0"/>	N62 (451.25)	<input type="range" value="100"/>	<input type="range" value="100"/>
3	<input checked="" type="checkbox"/>	<input type="text" value="0"/>	N63 (457.25)	<input type="range" value="100"/>	<input type="range" value="100"/>
4	<input checked="" type="checkbox"/>	<input type="text" value="0"/>	N64 (463.25)	<input type="range" value="100"/>	<input type="range" value="100"/>
5	<input checked="" type="checkbox"/>	<input type="text" value="0"/>	N65 (469.25)	<input type="range" value="100"/>	<input type="range" value="100"/>
6	<input checked="" type="checkbox"/>	<input type="text" value="0"/>	N66 (475.25)	<input type="range" value="100"/>	<input type="range" value="100"/>
7	<input checked="" type="checkbox"/>	<input type="text" value="0"/>	N67 (481.25)	<input type="range" value="100"/>	<input type="range" value="100"/>
8	<input checked="" type="checkbox"/>	<input type="text" value="0"/>	N68 (487.25)	<input type="range" value="100"/>	<input type="range" value="100"/>
9	<input checked="" type="checkbox"/>	<input type="text" value="0"/>	N69 (493.25)	<input type="range" value="100"/>	<input type="range" value="100"/>
10	<input checked="" type="checkbox"/>	<input type="text" value="0"/>	N70 (499.25)	<input type="range" value="100"/>	<input type="range" value="100"/>
11	<input checked="" type="checkbox"/>	<input type="text" value="0"/>	N71 (505.25)	<input type="range" value="100"/>	<input type="range" value="100"/>
12	<input checked="" type="checkbox"/>	<input type="text" value="0"/>	N72 (511.25)	<input type="range" value="100"/>	<input type="range" value="100"/>
13	<input checked="" type="checkbox"/>	<input type="text" value="0"/>	N73 (517.25)	<input type="range" value="100"/>	<input type="range" value="100"/>
14	<input checked="" type="checkbox"/>	<input type="text" value="0"/>	N74 (523.25)	<input type="range" value="100"/>	<input type="range" value="100"/>
15	<input checked="" type="checkbox"/>	<input type="text" value="0"/>	N75 (529.25)	<input type="range" value="100"/>	<input type="range" value="100"/>

There are two input modes for setting up the output frequency: **Setting from list** and **Manual Input**.

We suggest using the **Setting from list** option to save time.

Setting from list: Select the channels from the drop box

Freq. Type :

Enable	Attenuation (dB)	Frequency (MHz)
<input checked="" type="checkbox"/>	<input type="text" value="0"/>	N19 (151.25)
<input checked="" type="checkbox"/>	<input type="text" value="0"/>	
<input checked="" type="checkbox"/>	<input type="text" value="0"/>	
<input checked="" type="checkbox"/>	<input type="text" value="0"/>	
<input checked="" type="checkbox"/>	<input type="text" value="0"/>	
<input checked="" type="checkbox"/>	<input type="text" value="0"/>	

In the **Setting from list**, you can select the frequency in the drop box list. The used frequency will be in grey and the unused ones are in white as seen in the Fig 1.

(Fig 1.) Manual Input: Set the channels by inputting the frequencies

Manual Input Quick Channel Edit Batch Edit

Enable	Attenuation (dB)	Frequency (MHz)
<input checked="" type="checkbox"/>	0	151.25
<input checked="" type="checkbox"/>	0	451.25
<input checked="" type="checkbox"/>	0	457.25
<input checked="" type="checkbox"/>	0	463.25
<input checked="" type="checkbox"/>	0	469.25
<input checked="" type="checkbox"/>	0	475.25

The **Manual Input** option allows you to input the frequency as needed.

Quick Channel Edit: Quickly generate 16 channels by plan

In the Setting from list mode

Quick Channel Edit

Tips : Please click SUBMIT in the Output Param. sheet to activate the quick channel setting.

First frequency (MHz)

Close Edit

In the Manual input mode

Quick Channel Edit

Tips : Please click SUBMIT in the Output Param. sheet to activate the quick channel setting.

First frequency (MHz)

Bandwidth (MHz)

Close Edit

Batch Edit: Quickly edit the attenuation, audio and video for all the channels.

Batch Edit

Tips : Please click SUBMIT in the Output Param. sheet to activate the setting.

Attenuation (dB)

Audio Adjustment

Video Adjustment

Close Edit

Other settings in the OUTPUT SETTING

Freq. Adjust Mode : Manual Input Quick Channel Edit Batch Edit

Channel NO.	Enable	Attenuation (dB)	Frequency (MHz)	Audio Adjustment	Video Adjustment
1	<input checked="" type="checkbox"/>	0	151.25	<input type="range" value="23"/>	<input type="range" value="100"/>
2	<input checked="" type="checkbox"/>	0	451.25	<input type="range" value="100"/>	<input type="range" value="100"/>
3	<input checked="" type="checkbox"/>	0	457.25	<input type="range" value="100"/>	<input type="range" value="100"/>

Enable: To enable or disable the RF output. When one channel is disabled, its settings will be frozen.

Attenuation: The current channel output level adjustment. The range is 20dB max and the step is 1dB.

Frequency: Input the frequency or select from the list. All frequencies and channels are valid and free from 408860MHz.

Audio: Adjust the sound level by the slide bar

Video: Adjust the brightness for the picture

12.5 NETWORK PARAMETERS

Network Info

DHCP	<input type="checkbox"/>
IP Address	<input type="text" value="192.168.1.33"/>
Subnet Mask	<input type="text" value="255.255.255.0"/>
Default Gateway	<input type="text" value="192.168.1.1"/>
Primary DNS	<input type="text" value="8.8.8.8"/>
Secondary DNS	<input type="text" value="8.8.8.8"/>
Mac Address	<input type="text" value="00:60:70:00:65:08"/>

1. DHCP:

If you need to utilize the modulator on a router with DHCP make sure you click the DHCP box. This ensures the modulator will receive a unique IP address from your router. To find out what IP address your router has issued, please log into the router and check 'attached devices'. Your unit will be listed as 'H-16RCA-RF-AMOD'.

2. IP Address:

The default IP is 192.168.1.10. And it is editable.

3. Subnet Mask:

The default one is 255.255.255.0. And it is editable.

4. Default Gateway:

Set the gateway address.

5. Primary DNS:

The default one is 8.8.8.8 And it is editable.

6. Secondary DNS:

The default one is 202.96.134.133 And it is editable.

7. MAC:

You can use the MAC to find the modulator in the router. The MAC is labeled in the modulator case.



The modulator will reboot automatically if any changes on the network setting is applied.

12.6 SYSTEM PARAMETERS

Upgrade System from file

Click the **Browse** button below and import the upgrade file, and then click the **Upgrade** button to upgrade the system. The device will automatically restart when the upgrade is completed.

Restore to factory settings

Click the **Restore** button to restore the device into the factory setting. The device will automatically restart when the restore is completed.

Reboot

Click the Reboot button to reboot the device.

Export Settings

Click the **Backup** button , then the device will backup all the current settings into your computer.

Import Settings

Click the **Browse** button below and import the restore file, and then click the **Restore** button to restore the device. The device will automatically restart when the restore is completed.

Upgrade system from file: Upgrade the modulator with the latest software.

Restore to factory settings: The restore function will recover the input and output settings and the IP address to the factory mode.

Reboot: To reboot the modulator.

Export Settings: Back up the input and output settings to your computer.

Import Settings: Recover the settings to the modulator from your computer.

12.7 ACCOUNT

Current User Info

Current UserName

Current Password

New User Info

New Username

New Password

Confirm Password

NOTICE: Make sure you login to your system as the administrator.

In order to change the User Name and password, you need to input the current user name and password.

If you forget your new User Name or new password, you can use the reset button in the front panel to restore.

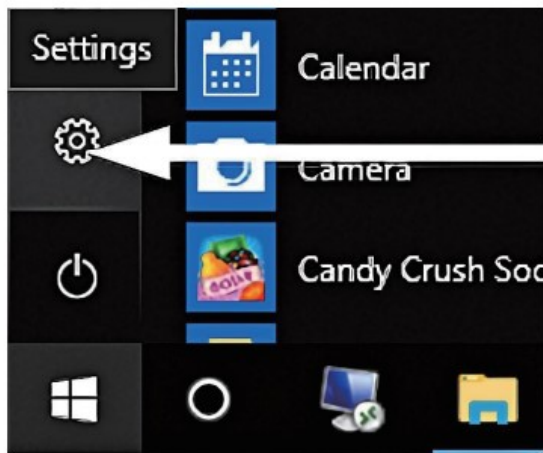
13. Quick IP Ethernet Connection Guide



NOTICE: Make sure you login to your management system as the ADMINISTRATOR.

13.1 Go to "Windows Start"





13.2 Go to Windows Settings

13.3 Go to "Network & Internet"

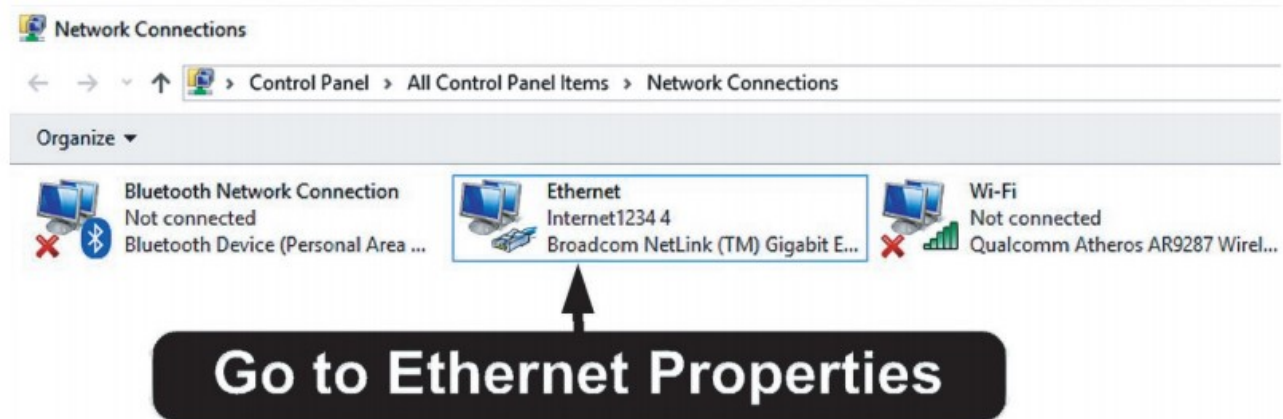
13.4 Go to "Ethernet" on the left side of the menu



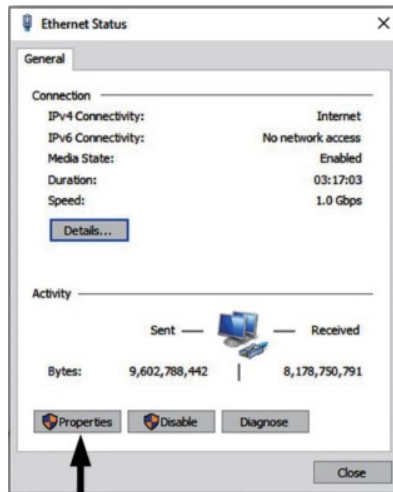
13.5 Go to "Change adapter options"



13.6 Double click on the Ethernet Source or Right Click and select "Properties"

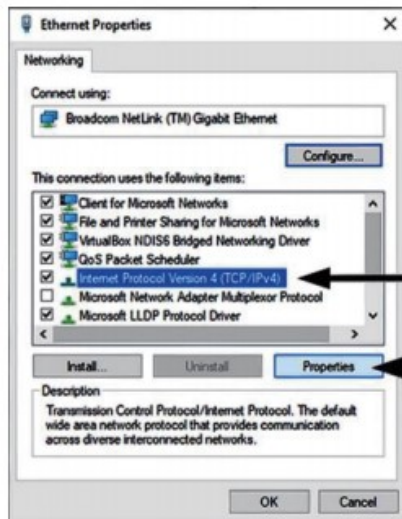


13.7 Open Properties



Open Properties

13.8 Go to "Internet Protocol Version 4 (TCP/IPv4)"

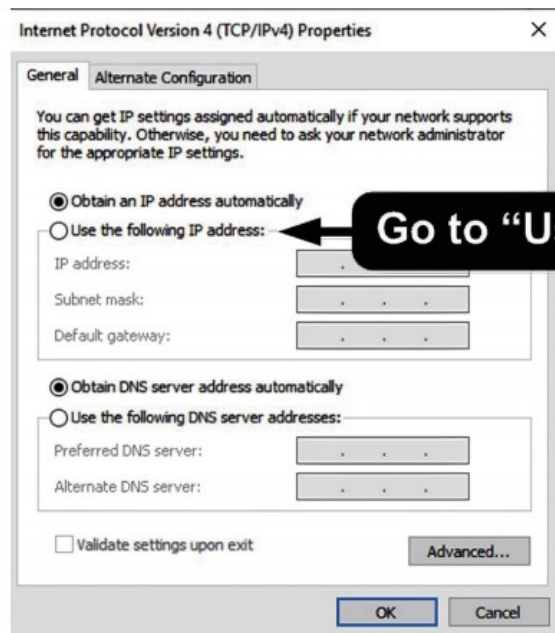


Go to Internet Protocol Version 4 (TCP/IPv4)

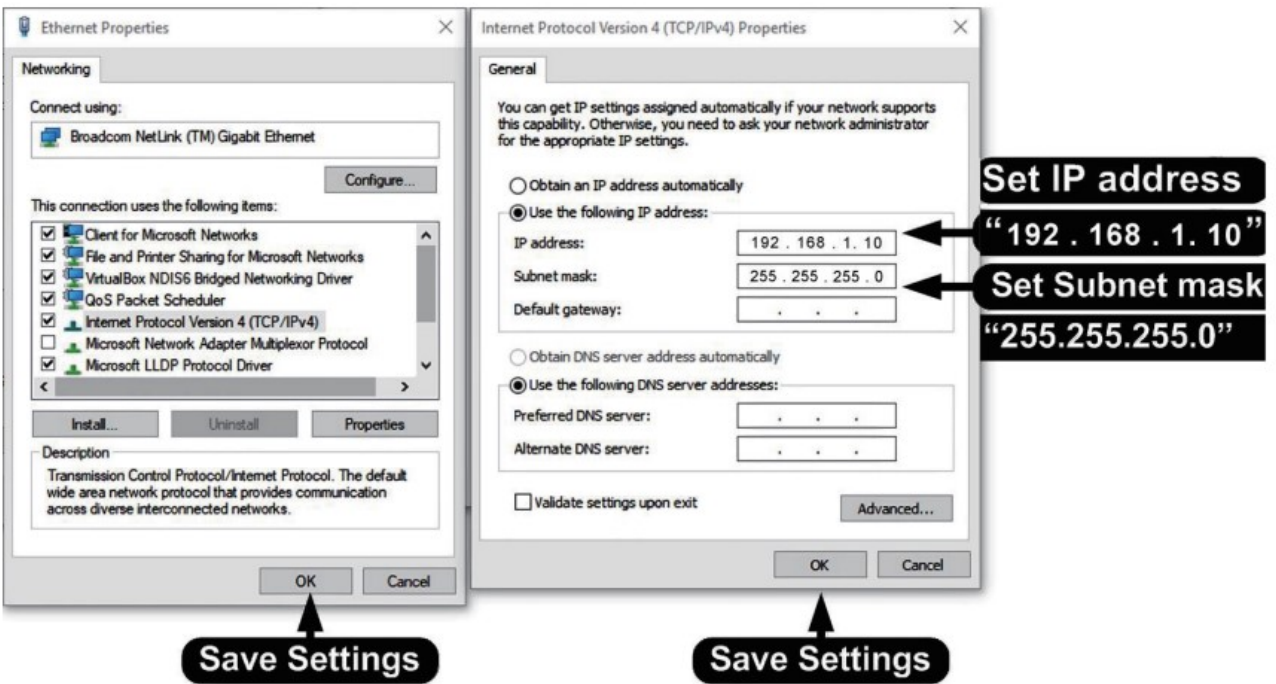
Go to Properties

13.9 Go to "Properties"

13.10 Go to "Use the following IP address"



13.11 Set IP address



Set IP address: 192.168.1.10

Set Subnet mask: 255.255.255.0

Set Default gateway: 192.168.1.1

15.12 Save all the settings.

SN	Symptom	Recommended Action
1	LED is not lit	Check the power cord connection
2	Can't login to the NMS	Check Chapter 13
3	The WEB UI is not in order and can't save the settings	Clear your browsing data
4	No RF output	Check the output setting
		Check the output modulation
		Check the cable connection
5	No video and audio in TV	Check the video and audio in another TV
		Check the input video resolution
		Check the output frequency
6	Bad picture and on-off sound	Check the connection of the video source
		High output level: Add the attenuator to low the level
		Low output level: Add an amplifier to boost up the level
7	Other issue	Please contact us for technical support

WARRANTY (1 YEAR)

Thor equipment has been thoroughly tested and found to be in proper operating condition when shipped from the factory and is warranted to be free from defects in materials or workmanship that may develop within one year of the date of purchase.

Prior authorization with a return authorization number issued by Thor or its representative is required for all returns. The purchaser shall be responsible for all freight charges on shipment to Thor unless otherwise authorized. Charges to return a unit or part to purchaser will be paid by Thor. Any claim for damage that occurs in transit to the purchaser must be filed by the purchaser with the carrier in accordance with the carrier's regulations.

Thor shall not be responsible for the shipping charge if the returned unit turns out to be without defect. **A Return Material Authorization (RMA) Number is required on all products returned to Thor.** Regardless of whether the product is being returned for repair or a credit. Before returning a product, please contact the Thor salesperson who you were in contact with.

Buyer:		RMA Number:
Mode Number	Products ID Number	Problem

If there's not enough space in this form, please attach a separate sheet of paper.

Thanks for using our products.

For more products, please visit our website:

<http://www.thorbroadcast.com>

email: sales@thorfiber.com